

Air Breathers

BH10P

FLOWFIT®

MANUFACTURERS AND SUPPLIERS
OF HYDRAULIC COMPONENTS

Technical Data

Cap: Chrome Plated Steel

Connector: Galvanised Steel

Pressure Valve

Working Temperature: -25°C to
+110°C

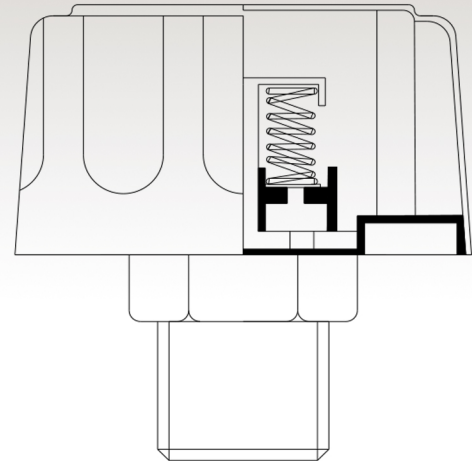
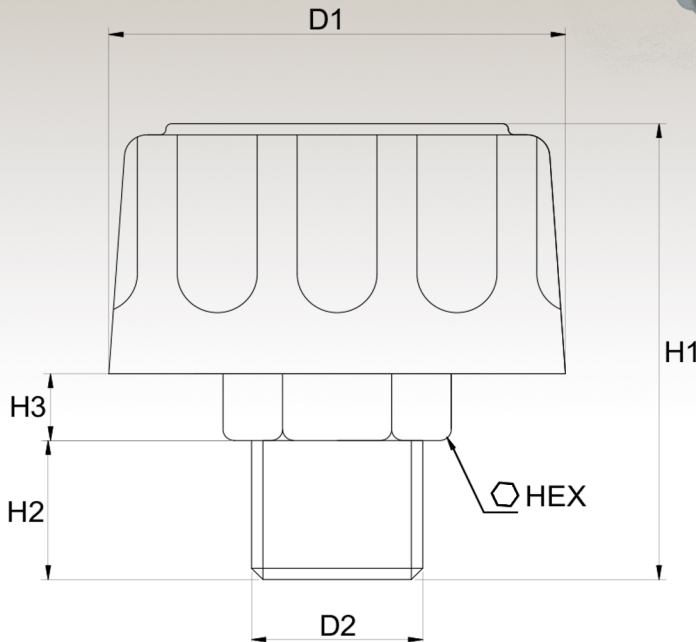
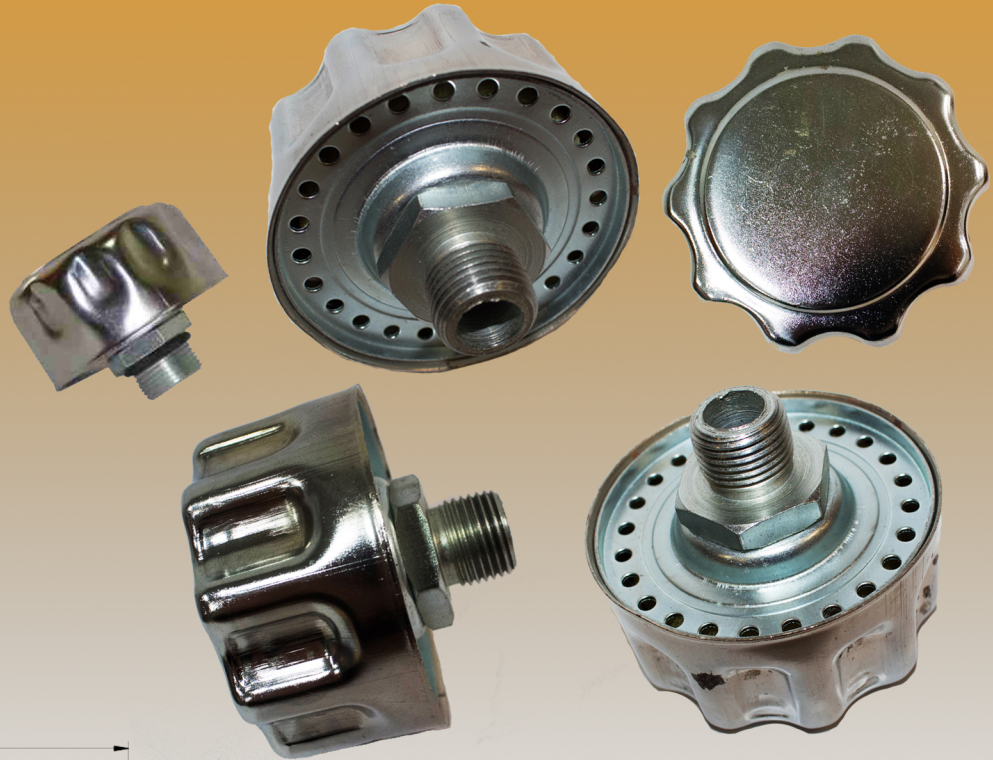
Seals: Nitrile (buna N)

Filtration:

40 microns foam

Air Flow Rate:

25CFM



Specifications

Part No.	Filtr. μ	Flow rate (l/min)	D1	D2	HEX	H1	H2	H3
BH10P	10	450	76	1/2" BSP	35	66	12	7

FLOWFIT

Harrier Fluid Power Ltd T/A Flowfit

Ludlow Business Park, Parys Road, Ludlow, Shropshire, SY8 1XY

email: sales@flowfitonline.com

telephone: 01584 876033

fax: 01584876044

www.flowfitonline.com